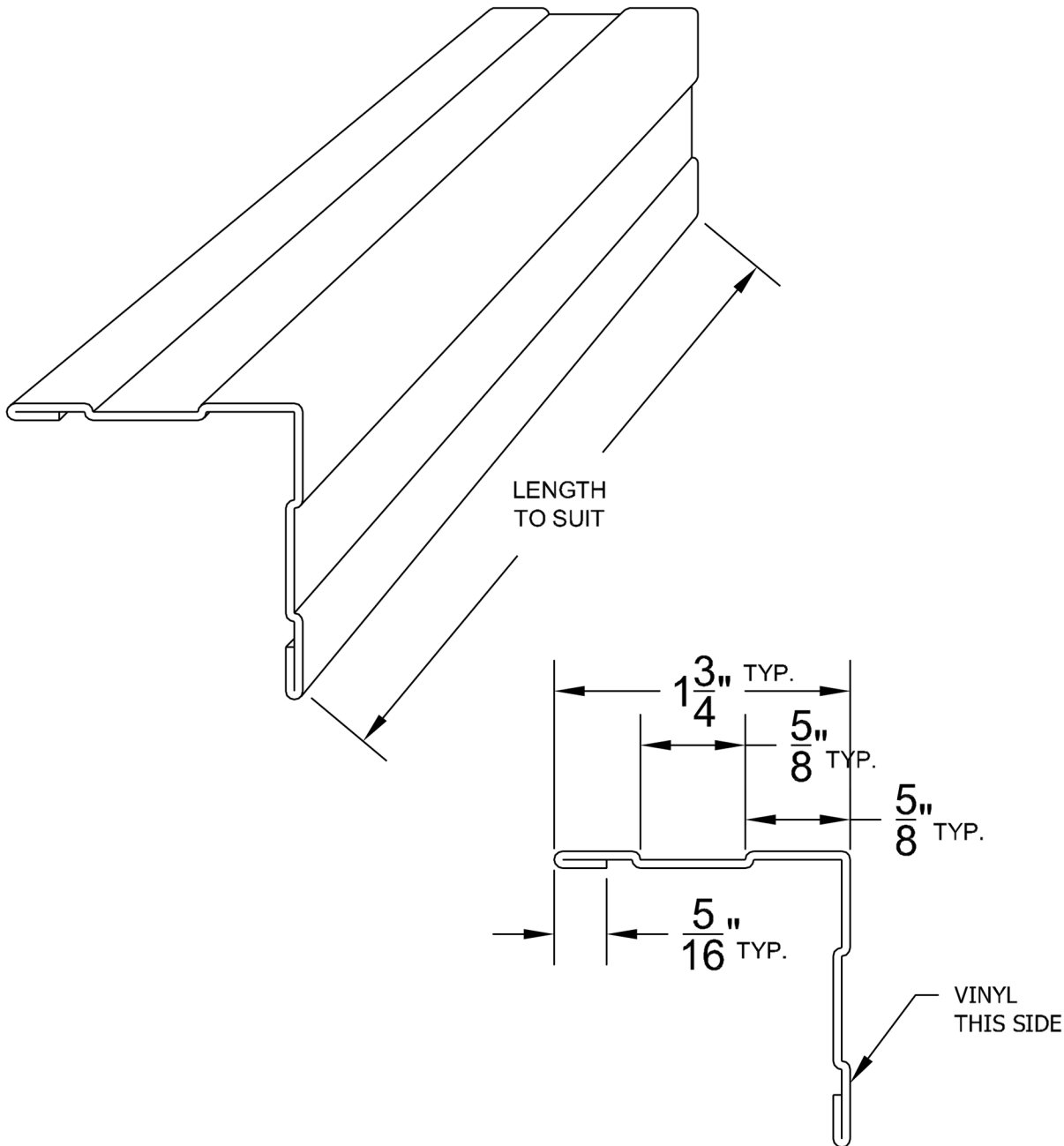


REVISION HISTORY				
REV	DESCRIPTION	INCRP BY	DATE	CHECKED
0	INITIAL RELEASE	RYA	05/05/2004	RYA
1	ARVEX P ADDED	RYA	09/12/2005	RYA



ARVINYL
L A M I N A T E S
Perfecting the Finishing Touch

ARVINYL LAMINATES
233 N. SHERMAN AVENUE
CORONA, CA 92822
PHONE: 800-278-4695 / 951-371-7800

TITLE
OUTSIDE CORNER

MATERIAL
.032 / 5052H32 CLAD W/ ARWALL / ARVEX S / ARVEX P

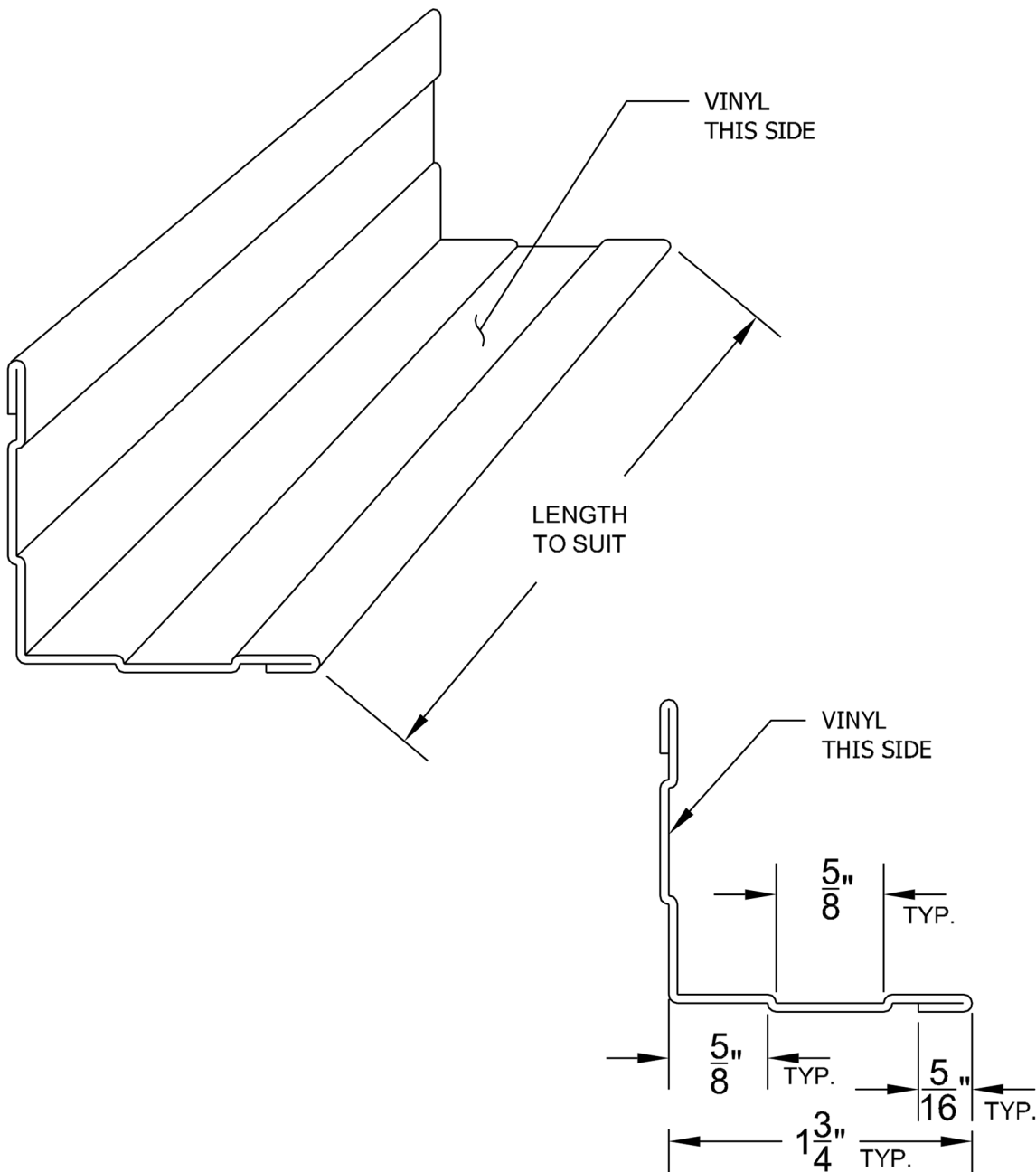
UNLESS OTHERWISE SPECIFIED
DIMENSIONS ARE IN INCHES
TOLERANCE ON ANGLE $\pm 0^{\circ} 30'$
ON DECIMAL .XX $\pm .03$
.XXX $\pm .010$

INTERPRET
DIMENSIONS AND TOLERANCES
PER ASME Y14.5M - 1994
DO NOT SCALE DRAWING

APPROVALS	INITIALS	NAME (PRINT)	DATE

SIZE A	CAGE CODE	DWG NO. #104	REV 1
SCALE	SHEET		1 of 1

REVISION HISTORY				
REV	DESCRIPTION	INCRP BY	DATE	CHECKED
0	INITIAL RELEASE	RYA	05/05/2004	RYA
1	ARVEX P ADDED	RYA	09/12/2005	RYA



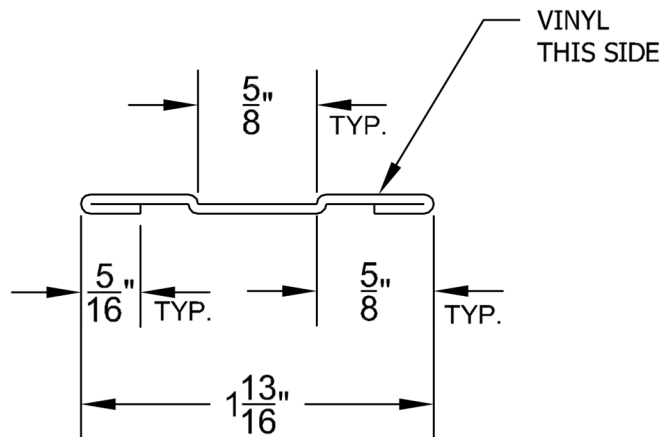
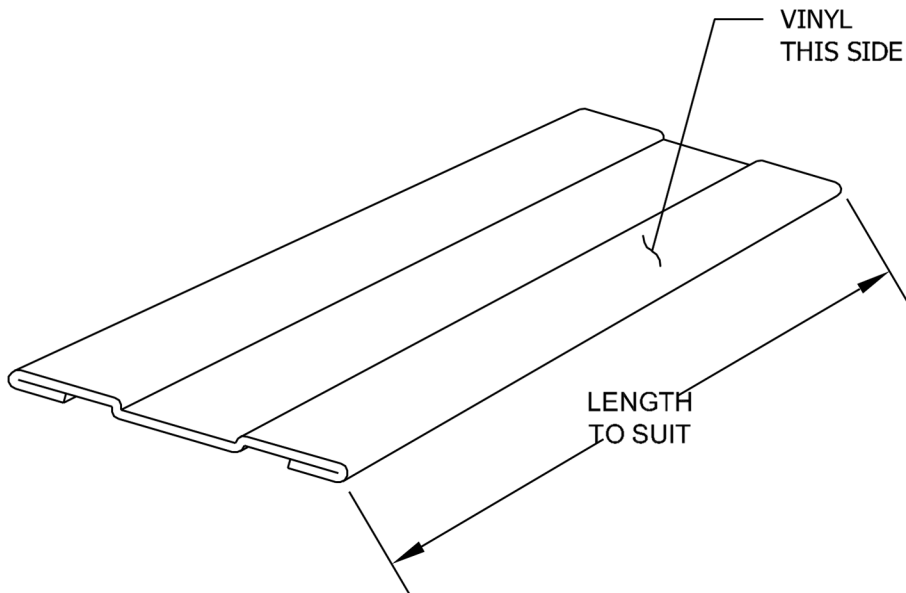
ARVINYL
L A M I N A T E S
Perfecting the Finishing Touch

ARVINYL LAMINATES
233 N. SHERMAN AVENUE
CORONA, CA 92822
PHONE: 800-278-4695 / 951-371-7800

TITLE				INSIDE CORNER	
MATERIAL				.032 / 5052H32 CLAD W/ ARWALL / ARVEX S / ARVEX P	
SIZE	CAGE CODE	DWG NO.	#105		REV
A					1
SCALE				SHEET 1 of 1	

UNLESS OTHERWISE SPECIFIED DIMENSIONS ARE IN INCHES TOLERANCE ON ANGLE ±0° 30' ON DECIMAL .XX ± .03 .XXX ± .010		INTERPRET DIMENSIONS AND TOLERANCES PER ASME Y14.5M - 1994 DO NOT SCALE DRAWING	
APPROVALS	INITIALS	NAME (PRINT)	DATE

REVISION HISTORY				
REV	DESCRIPTION	INCORP BY	DATE	CHECKED
0	INITIAL RELEASE	RYA	05/05/2004	RYA
1	ARVEX P ADDED	RYA	09/12/2005	RYA



ARVINYL
L A M I N A T E S
Perfecting the Finishing Touch

ARVINYL LAMINATES
233 N. SHERMAN AVENUE
CORONA, CA 92822
PHONE: 800-278-4695 / 951-371-7800

TITLE
BATTEN

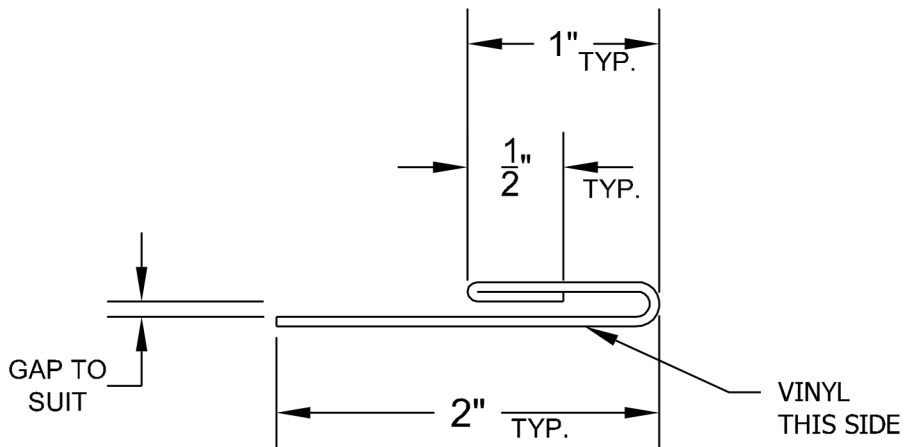
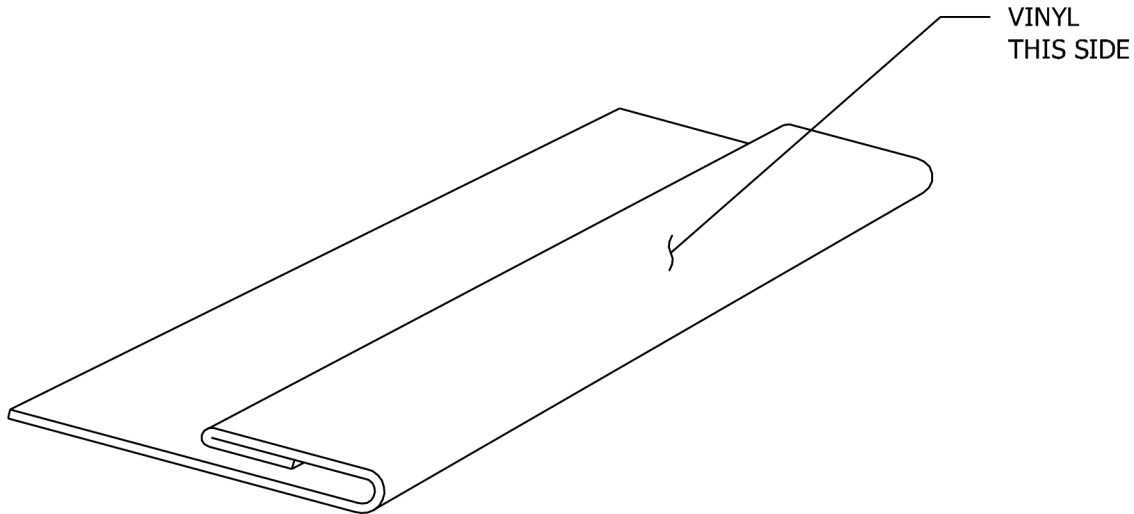
MATERIAL
.032 / 5052H32 CLAD W/ ARWALL / ARVEX S / ARVEX P

SIZE A	CAGE CODE	DWG NO. #106	REV 1
------------------	-----------	------------------------	-----------------

UNLESS OTHERWISE SPECIFIED DIMENSIONS ARE IN INCHES TOLERANCE ON ANGLE ± 0° 30' ON DECIMAL .XX ± .03 .XXX ± .010		INTERPRET DIMENSIONS AND TOLERANCES PER ASME Y14.5M - 1994 DO NOT SCALE DRAWING	
APPROVALS	INITIALS	NAME (PRINT)	DATE

SCALE	SHEET	1 of 1
-------	-------	--------

REVISION HISTORY				
REV	DESCRIPTION	INCORP BY	DATE	CHECKED
0	INITIAL RELEASE	RYA	05/05/2004	RYA
1	ARVEX P ADDED	RYA	09/12/2005	RYA





ARVINYL LAMINATES
 Perfecting the Finishing Touch
ARVINYL LAMINATES
 233 N. SHERMAN AVENUE
 CORONA, CA 92822
 PHONE: 800-278-4695 / 951-371-7800

TITLE
END CAP

MATERIAL
.032 / 5052H32 CLAD W/ ARWALL / ARVEX S / ARVEX P

UNLESS OTHERWISE SPECIFIED
DIMENSIONS ARE IN INCHES
TOLERANCE ON ANGLE $\pm 0^{\circ} 30'$
ON DECIMAL .XX $\pm .03$
.XXX $\pm .010$

INTERPRET
DIMENSIONS AND TOLERANCES
PER ASME Y14.5M - 1994
DO NOT SCALE DRAWING

APPROVALS	INITIALS	NAME (PRINT)	DATE

SIZE	CAGE CODE	DWG NO.	REV
A		#107	1
SCALE			SHEET 1 of 1